

AC centrifugal fan

Backward curved



- **Impeller material:** All-plastic impeller of PA 6.6 GV, injected round sheet-metal plate
- **Bearings:** Maintenance-free ball bearings
- **Direction of rotation:** Right, looking at rotor

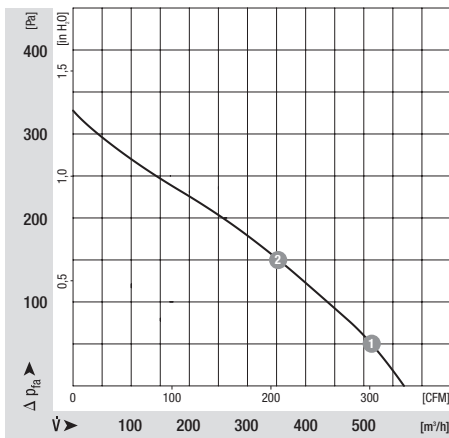
Nominal data

Type	Motor	Voltage 1 - VAC	Frequency Hz	Air flow m³/h	Speed 1/min	Power consumption W	Current draw A	Capacitor capacity uF/V	Sound pressure level dB(A)	Weight kg
R2E190A02605	M2E068BF	230	50	570	2500	58	0.26	2.0 / 400	62	1.2

Subject to modification

Characteristic: Pressure over air flow at 50Hz

n [min-1] P₁ [W] ntl [%] Lpa [dBA]

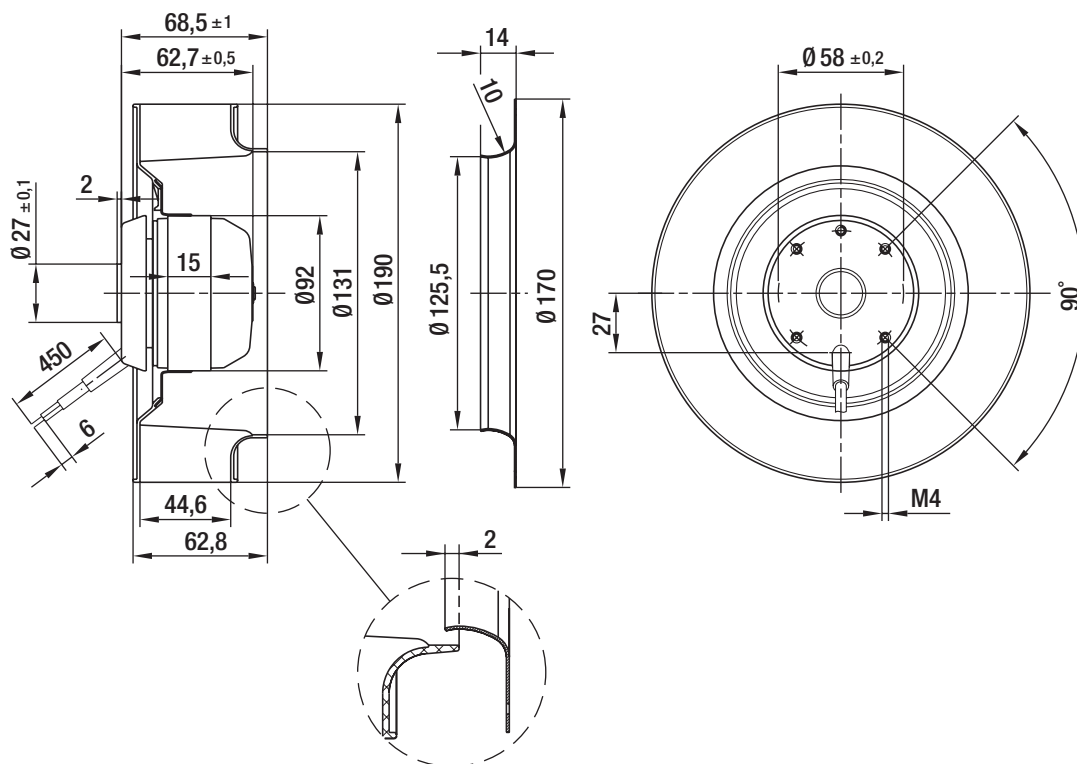


1	2490	59	--	--
2	2410	61	--	--

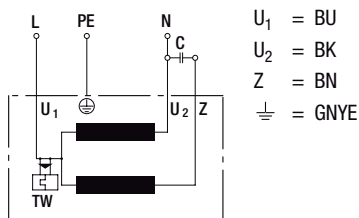
AC centrifugal fan

Backward curved

Specific drawing



Connection illustration



Technical description

- **Impeller material:** All-plastic impeller of PA 6.6 GV, injected round sheet-metal plate
- **Direction of rotation:** Right, looking at rotor
- **Cable layout:** Variable
- **Operating mode:** S1
- **Protection class:** I
- **Approvals:** CE
- **Bearings:** Maintenance-free ball bearings
- **Number of impeller blades:** 7
- **Screw depth:** Max. 5 mm
- **Insulation class:** "B"
- **System of protection:** IP 44

Contact

ebm-papst Mulfingen GmbH & Co. KG
Bachmühle 2
D-74673 Mulfingen
Phone +49 (0) 79 38 / 81-0
Fax +49 (0) 79 38 / 81-110
info1@de.ebmpapst.com
www.ebmpapst.com