

optris® PI NetBox

Miniaturized PC for use with PI series



General specifications

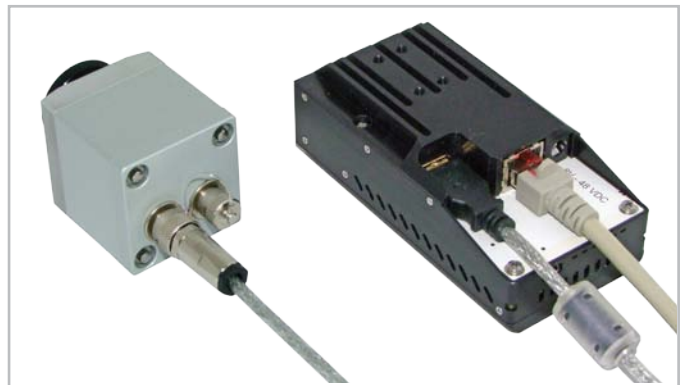
| | |
|-----------------------|------------------------------------|
| Operating temperature | 0 - 50°C |
| Storage temperature | -20...75°C |
| Relative humidity | 10...95%, non-condensing |
| Material (housing) | Anodized aluminium |
| Dimensions | 113 x 57 x 39 mm |
| Weight | 280 g |
| Vibration | IEC-2-6: 3G, 11 - 200 Hz, any axis |
| Shock | IEC-2-27: 50G, 11 ms, any axis |
| Operating system | Windows XP Professional |

Electrical specifications

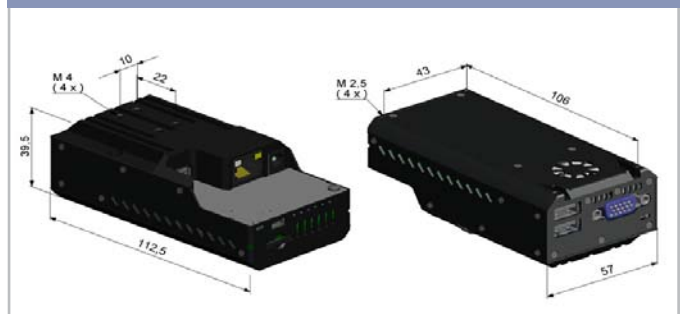
| | |
|----------------------|---|
| Power supply | 8...48 VDC or Power over Ethernet (PoE/ 1000BASE-T) |
| Power consumption | 9.5 W (+ additional 2.5 W for PI camera) |
| Cooling | Passive (active with integrated fan for ambient temperatures above 50°C) |
| Board | COM Express® mini embedded board |
| Processor | Intel® Atom™ Z530/ 1.6 GHz |
| ROM | 2 GB SSD |
| RAM | 512 MB (DDR2, 533 MHz) |
| Ports | 3x USB 2.0 1x Mini-USB 2.0 (slave mode) VGA/ TV _{out} Ethernet (Gigabit Ethernet) |
| Extensions | MicroSDHC card (up to 32 GB) |
| Additional functions | 6x status LEDs (L1-L6) |

FEATURES

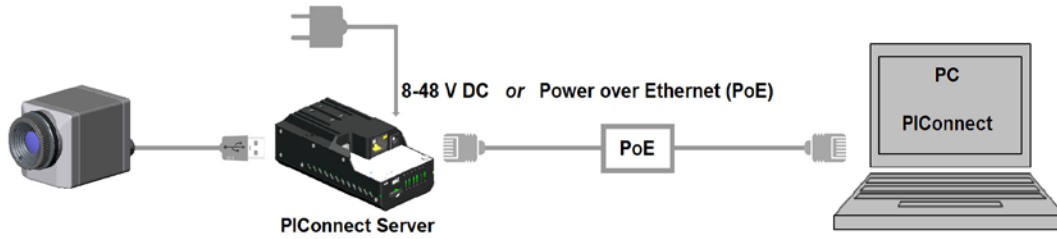
- Miniaturized PC for PI160/ 4xx stand-alone operation or for cable extension
- Supports 120 Hz (PI160) and up to 70 Hz (PI4xx) frame rate
- Integrated watchdog feature
- Additional operation of customer specific software
- Processor: Intel® Atom™ Z530 @ 1.6 GHz
2GB SSD, 512 MB RAM
- Ports: 3x USB 2.0, 1x Mini-USB in slave mode, VGA/ Video, Gigabit Ethernet, SD-Card (up to 32 GB)
- Operating system: Windows XP Professional
- Wide power range: 8-48 VDC or Power over Ethernet (PoE)
- Status LEDs
- Low power consumption (max. 8 W)
- Up to 20 m USB high temperature cable, up to 100 m ethernet cable expandability (PoE)



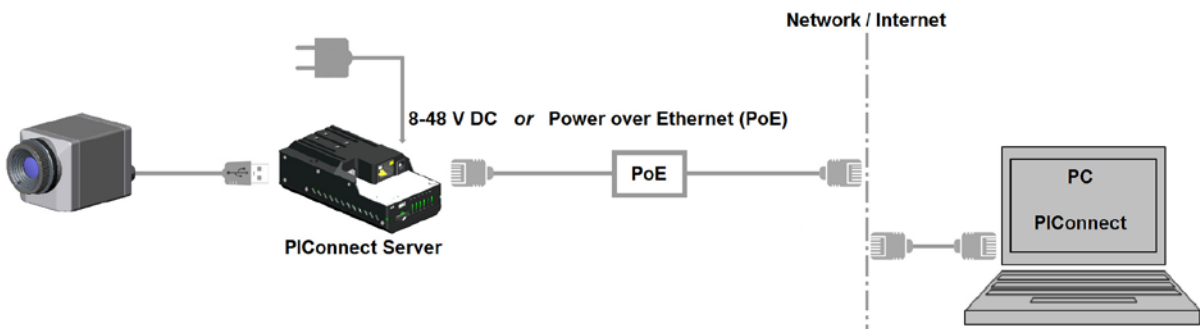
Dimensions



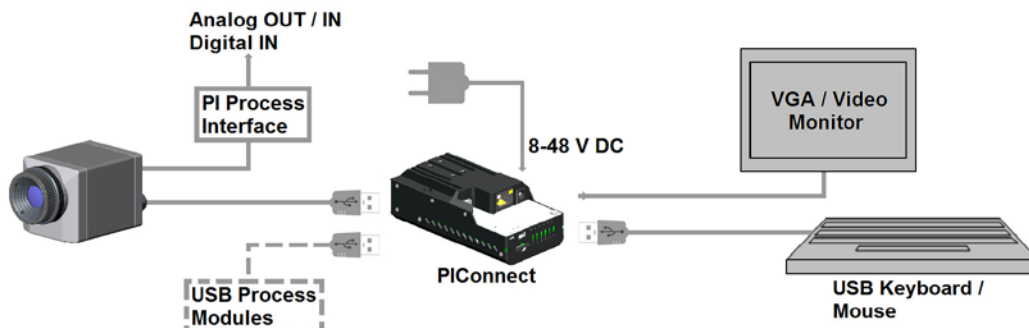
Ethernet direct communication



Ethernet communication / networking



Stand-alone operation



Protective housing dimensions

