

optris® PI LightWeight

Miniaturized lightweight PC for flight applications with PI series



FEATURES

- Full radiometric IR inspection with 382 x 288 pixels in 12 ms per frame
- 350 g two-piece design with minimized camera head weight
- Simultaneous 20 Hz video signal generation parallel to 35 Hz on board radiometric recording
- Flexible data acquisition and analysis software PI Connect
- GigE connection for after flight video download and software adjustments via “remote desktop”
- Support for HD video camera (GoPro) readout via additional USB port

General specifications optris PI sensing head

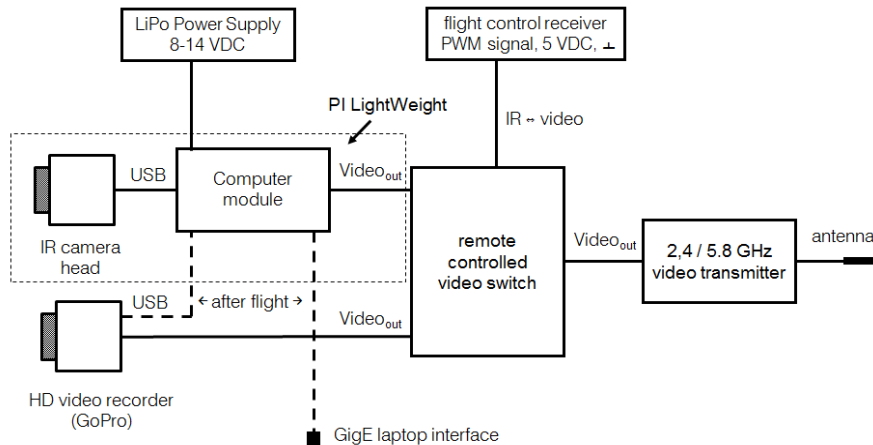
Measuring range	-20°C – 900°C
Spectral range	8 - 14 µm
Accuracy	± 2% or ± 2°C
Optics	62° FOV (38° FOV optional)
Resolution	382 x 288 pixel
Dimensions	46 x 56 x 90 mm

General specifications NetBox

Operating temperature	0 - 50°C
Storage temperature	-20...75°C
Relative humidity	10...95%, non-condensing
Dimensions	111 x 55 x 45 mm
Weight (NetBox+PI)	350 g
Vibration	IEC-2-6: 3G, 11 - 200 Hz, any axis
Shock	IEC-2-27: 50G, 11 ms, any axis
Operating system	Windows XP Professional

Electrical specifications NetBox

Power supply	8...48 VDC or Power over Ethernet (PoE/ 1000BASE-T)
Power consumption	9.5 W (+ additional 2.5 W for PI camera)
Cooling	Active (integrated fan)
Board	COM Express® mini embedded board
Processor	Intel® Atom™ Z530/ 1.6 GHz
ROM	2 GB SSD
RAM	512 MB (DDR2, 533 MHz)
Ports	2x USB 2.0 1x Mini-USB 2.0 (slave mode) TV _{out} Ethernet (Gigabit Ethernet)
Extensions	MicroSDHC card (up to 32 GB)
Additional functions	Recording trigger on camera housing, 6x status LEDs (L1-L6)



Specifications are subject to change without notice
PI LightWeight E2013-01-A