

Customer Note

New improved function module for the popular ICS valve

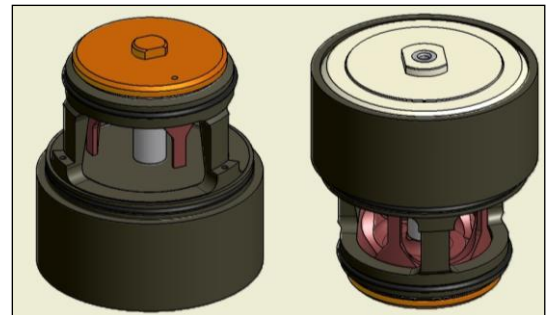
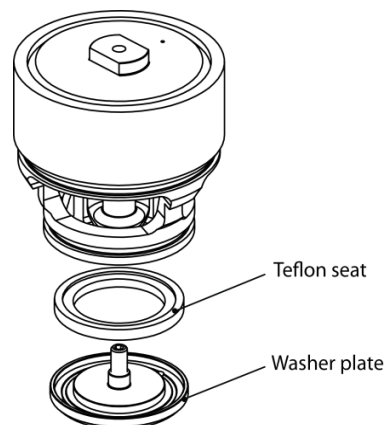
Introduction

To meet the requests from our customers the one piece function module has been changed to make it possible to exchange some of the wearing parts instead of the whole module.

It has been a wish from some customers that it would be possible to exchange the Teflon seat because they experienced damage on the seat during start up due to dirt/welding particles in the system. We are therefore pleased that we have been able to make adaption to the product to accommodate this. With this change the whole size range from 25 to 150 can be serviced with the dedicated spare part kits.

The new design where the function module is screwed together also makes it more robust and serviceable in situations where it is used in very demanding applications like Economizer ports on screw compressors and in wet return lines of evaporators with Hot Gas defrost.

Product details



Prices and Code numbers

The prices and code numbers remain the same for the new and more flexible function module. There will be a transition time of approximately 3 months where both module types are available. If serviceable module is required please contact your local Danfoss sales office.

Production start

Production start for the new function module is week 5 2012 and the product code/markings will be 0512 or higher.

Product concept

Unchanged High Regulation Performance with the Unique Valve Port Regulating Cone

The function module with the special V-port design still provides stable and smooth control characteristics compared to valves with a traditional flat port design. It enables the temperature set-point to be adjusted to a higher level, which provides a higher suction pressure, and a better COP, leading to energy savings.

Part of the ICM/ICS modular concept that offers a high degree of flexibility

The function module is part of the ICM/ICS modular concept that gives you a high degree of flexibility in creating a valve that suits your requirements. The common valve body for ICS and ICM is available in several different connection sizes. Different function modules in the ICM and ICS offer you a very wide range of capacities and functions, which can be installed in each valve body.



If you are interested in reading more about the ICM/ICS modular concept please [click here](#) to visit our website.

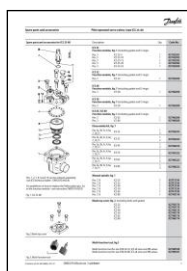
Further information

For more information on the new serviceable ICS function module please contact your local Danfoss sales representative via the details below or visit our website on www.danfoss.com/IR where you can also find the following literature.

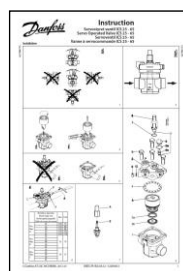
Click the thumbnails to download from the web:



Instruction
How to replace
the Teflon seat



Spare parts sheet



ICS Instruction



ICS Technical brochure

Contact

Please add contact details of local contact persons