

Damper actuator for Module SKM230-T-B12 for operating air control dampers in ventilation and air-conditioning systems for building services installations

- For air dampers up to approx. 0.4 m²
- Torque 2 Nm
- Nominal voltage DC 24 V
- Control via Module SKM230-T-B12
- Power off reserve function



Overview of types

Type	Direction of rotation
CM24K-T-L	counter-clockwise (ccw)
CM24K-T-R	clockwise (cw)

Technical data

Electrical data	Nominal voltage	DC 24 V	
	Nominal voltage range	DC 19.2 ... 28.8 V	
	Power consumption	In operation At rest	0.5 W @ nominal torque 0.2 W (power on / position open) 0 (power off / position closed)
	Connection	Terminal for 3 x 1.5 mm ² Cu wire or 3 x 0.75 mm ² Cu strands	
	Actuator – Module SKM230-T-B12 connection	Cu wire: Ø min. 0.5 mm ² , max. 1.5 mm ² Cu strand: Ø min. 0.5 mm ² , max. 0.75 mm ² Length max. 200 m	
Functional data	Torque	Standard operation Reserve	Min. 2 Nm @ nominal voltage Min. 2 Nm @ nominal voltage
	Control		via Module SKM230-T-B12
	Direction of rotation		See «Overview of types»
	Manual override		Gear disengagement with magnet
	Angle of rotation		Max. 95°, can be limited at both ends with adjustable mechanical end stops
	Running time	Open Close	75 s / 90°↔ 15 s / 90°↔
	Sound power level	Standard operation Reserve	Max. 35 dB (A) Max. 55 dB (A)
	Position indication		Mechanical, pluggable (accessory part Z-PICM)
	Service life		min. 60,000 reserves à 95°↔
	Safety	Protection class	
Degree of protection			IP20
EMC			CE according to 2004/108/EC
Certification			Certified to IEC/EN 60730-1 and IEC/EN 60730-2-14
Mode of operation			Type 1
Rated impulse voltage			0.8 kV
Control pollution degree			2
Ambient temperature			-30 ... +50 °C
Non-operating temperature			-40 ... +80 °C
Ambient humidity			95% r.H., non-condensating
Maintenance		Maintenance-free	
Dimensions / Weight	Dimensions		See «Dimensions» on page 2
	Weight		Approx. 165 g

Safety notes



- The actuator is not allowed to be used outside the specified field of application, especially in aircraft or in any other airborne means of transport.
- It may only be installed by suitably trained personnel. Any legal regulations or regulations issued by authorities must be observed during assembly.
- The mechanical end stops for limiting the angle of rotation may only be removed for adjustment. They must always be mounted during operation.

Safety notes

(continued)

- The device may only be opened at the manufacturer's site. It does not contain any parts that can be replaced or repaired by the user.
- When calculating the required torque, the specifications supplied by the damper manufacturers (cross section, design, installation site), and the air flow conditions must be observed.
- The device contains electrical and electronic components and is not allowed to be disposed of as household refuse. All locally valid regulations and requirements must be observed.

Product features

Damper actuator and module SKM230-T-B12	The damper actuators CM24K.. can only be utilised with the Module SKM230-T-B12 that is provided for it
Simple direct mounting	The actuator is mounted directly on the damper spindle (\varnothing 6 ... 12.7 mm) with a universal clamp and then be optionally secured with the Z-ARCM anti-rotation strap supplied to prevent it from rotating (see «Accessories»)..
Manual override	Manual override with magnet possible (the gear is disengaged as long as the magnet adheres to the symbol ⊕). A Z-MA magnet for the gearing latch is enclosed(see «Accessories»).
Adjustable angle of rotation	Adjustable angle of rotation (max. 95° <) with mechanical end stops.
High functional reliability	The actuator is overload-proof, requires no limit switches and automatically stops when the end stop is reached.

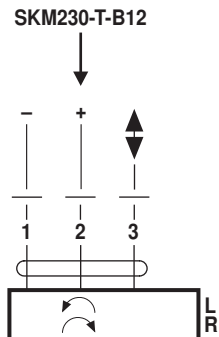
Accessories

	Description	Data sheet
Mechanical accessories	Anti-rotation stud Z-ARCM	T2 - Z-CM..
	Magnet for gearing latch Z-MA	T2 - Z-CM..
	Position indication with integrated magnet for gearing latch Z-PICM	T2 - Z-CM..

Electrical installation

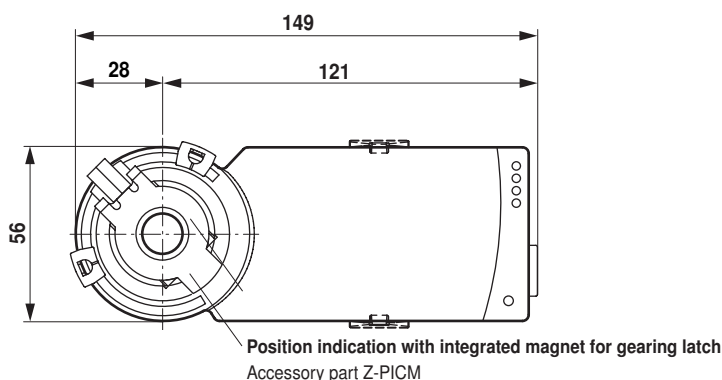
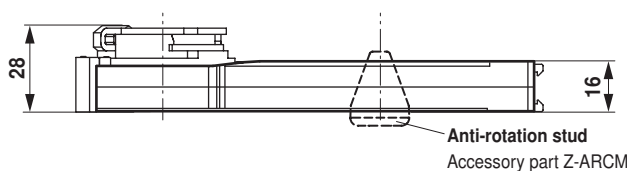
Wiring diagram

Note
Connection via module SKM230-T-B12



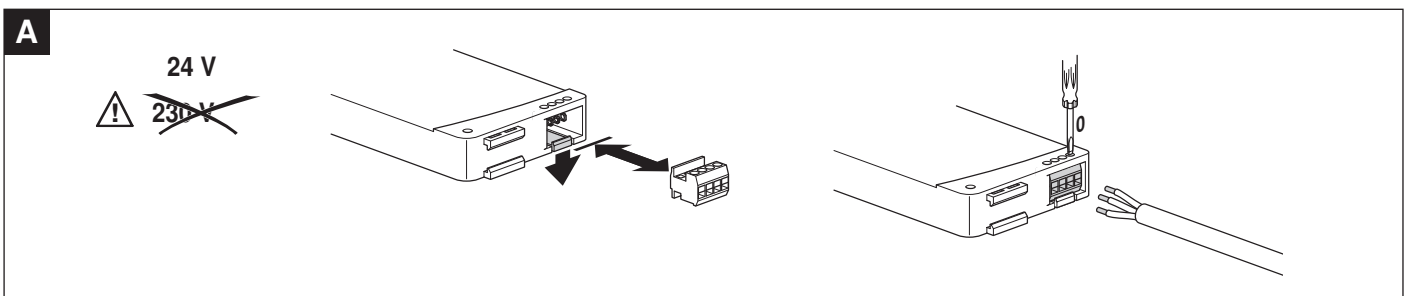
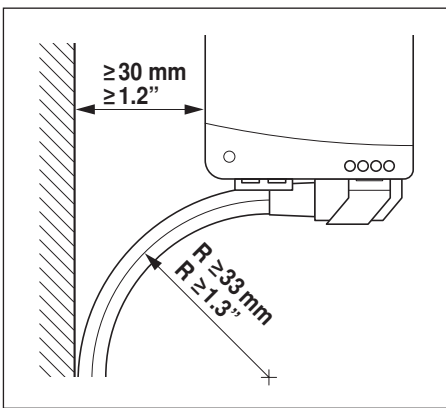
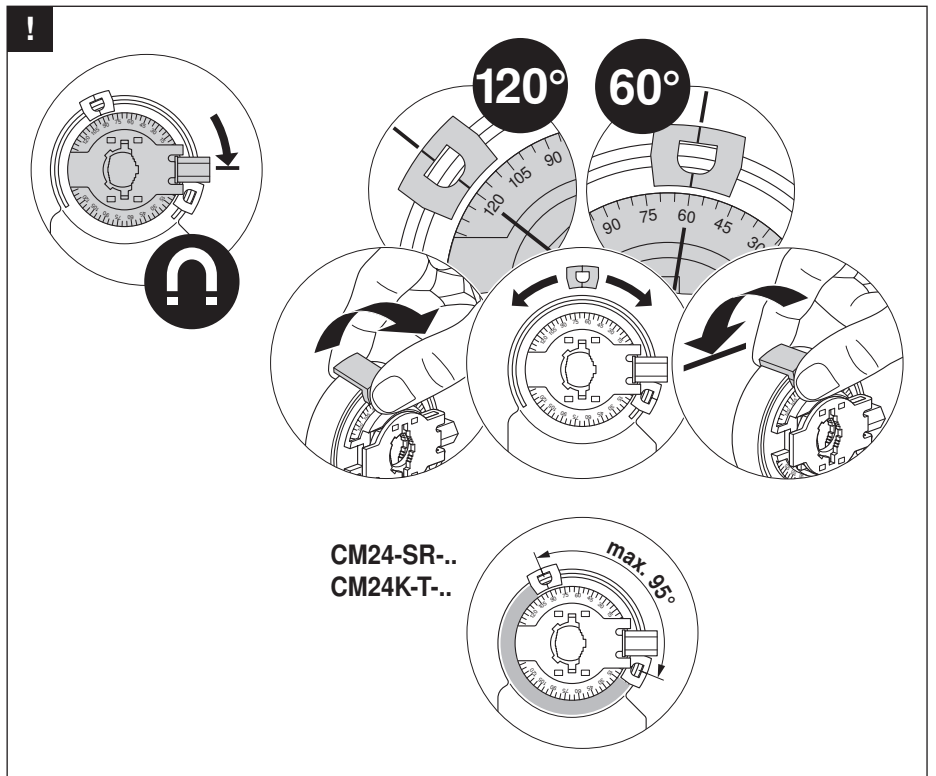
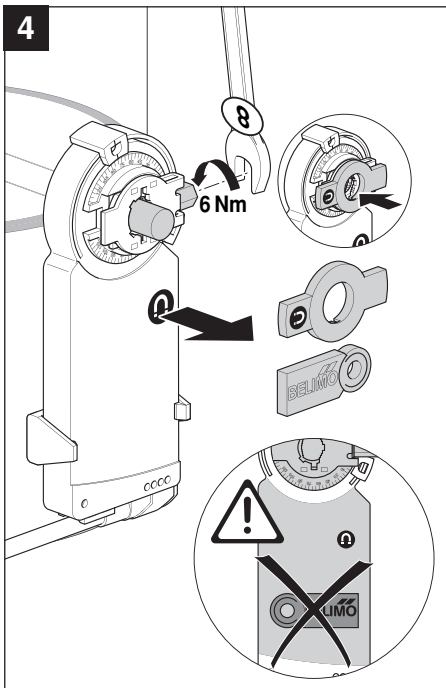
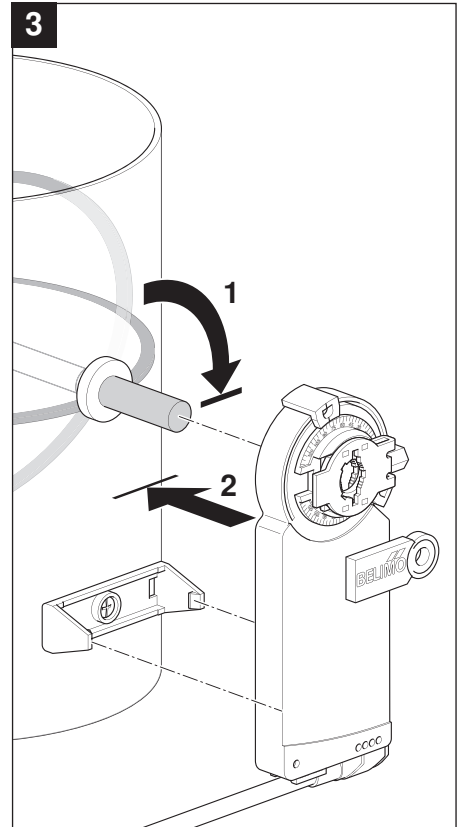
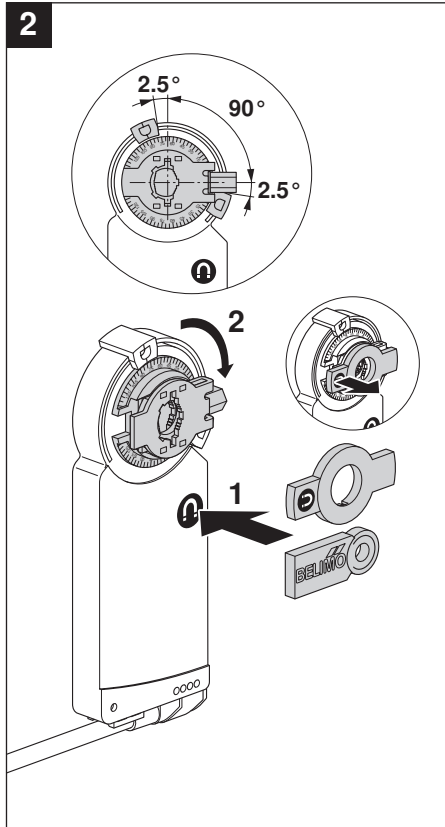
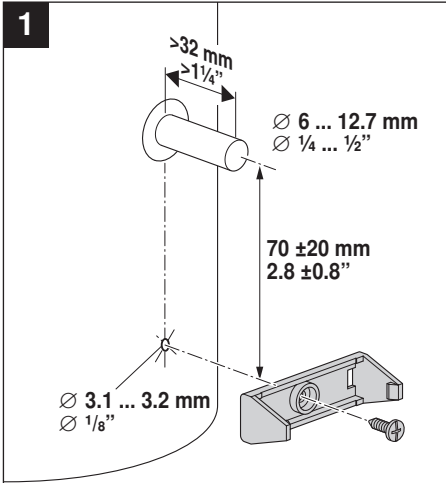
Dimensions [mm]

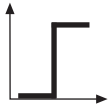
Dimensional drawings



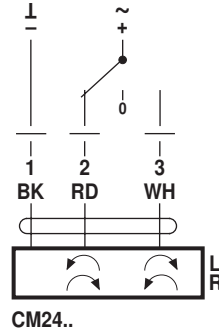
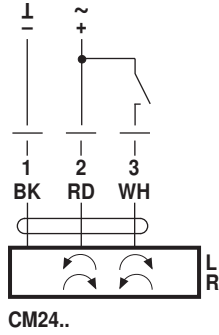
Damper spindle	Length	
	≥32	6 ... 12.7

70670-00002.D

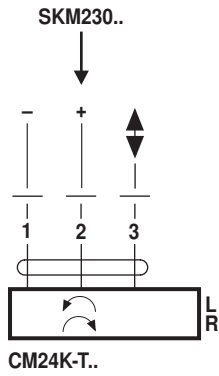




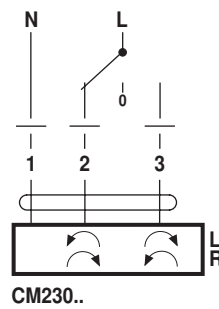
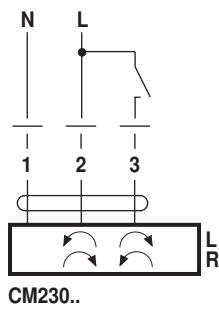
AC 24 V / DC 24 V



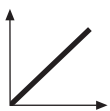
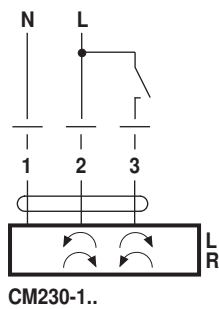
DC 24 V
(SKM230..)



AC 100 ... 240 V ⚠



AC 230 V ⚠



AC 24 V / DC 24 V

